



# Safety PEDESTALS

## Sourcelec 196 and 199 fire pedestals

Installed in the immediate proximity of the pontoons, this device makes available a lifebuoy and can provide connection for firefighters



### Equipement

- Support bracket for buoy in the back (buoy not supplied).
- SOS marking on each side.

### Options

- Lighting/beaconing by red LAMPLED on door.
- Stainless steel piping DN40 for dry column extinguishing system.

### Features

- Equipment made of fiberglass-reinforced polyester with integrated isophthalic gel coat surfacing, self-extinguishing at 850°C.
- Protection degree : IP 44 – IK 10.
- High resistance to UV, infrared, external aggressions and humidity.
- Standard colour : red.

### Closing and fixing devices

- Door fitted on hinged stainless steel hinges.
- Locking by 2 ¼ turn, burglar-proof and stainless locks.
- 4 fixing points, spacing : 160x360mm (Sourcelec 196) and 260x380mm (Sourcelec 199).

### Standards

Complying with NF C 15-100 standard, section 709, 2002 edition : Low Voltage electrical installations for Marinas.

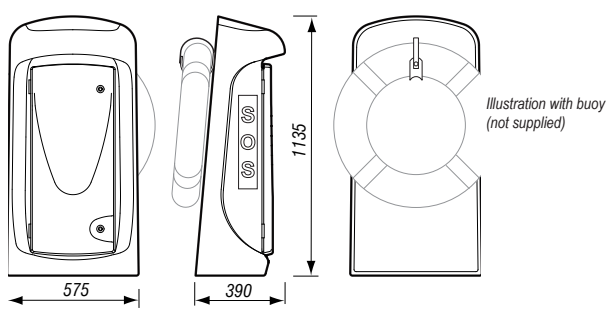


Dimensions in mm.

### Sourcelec 196 pedestal red

Depagne

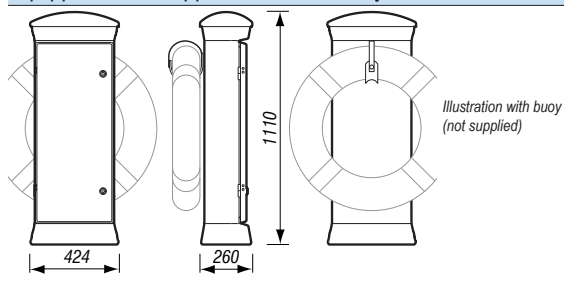
Equipped with 1 support bracket for buoy with 2 SOS stickers **419 611 00**



### Sourcelec 199 pedestal red with red cap

Depagne

Equipped with 1 support bracket for buoy with 2 SOS stickers **419 101 00**



### Options

Depagne

- Lighting/beaconing kit for 1 x 230V LAMPLED, red diodes, with protection, delivered mounted **920 007 00**
- Stainless steel piping kit DN40 for dry column extinguishing system, delivered mounted **951 006 00**